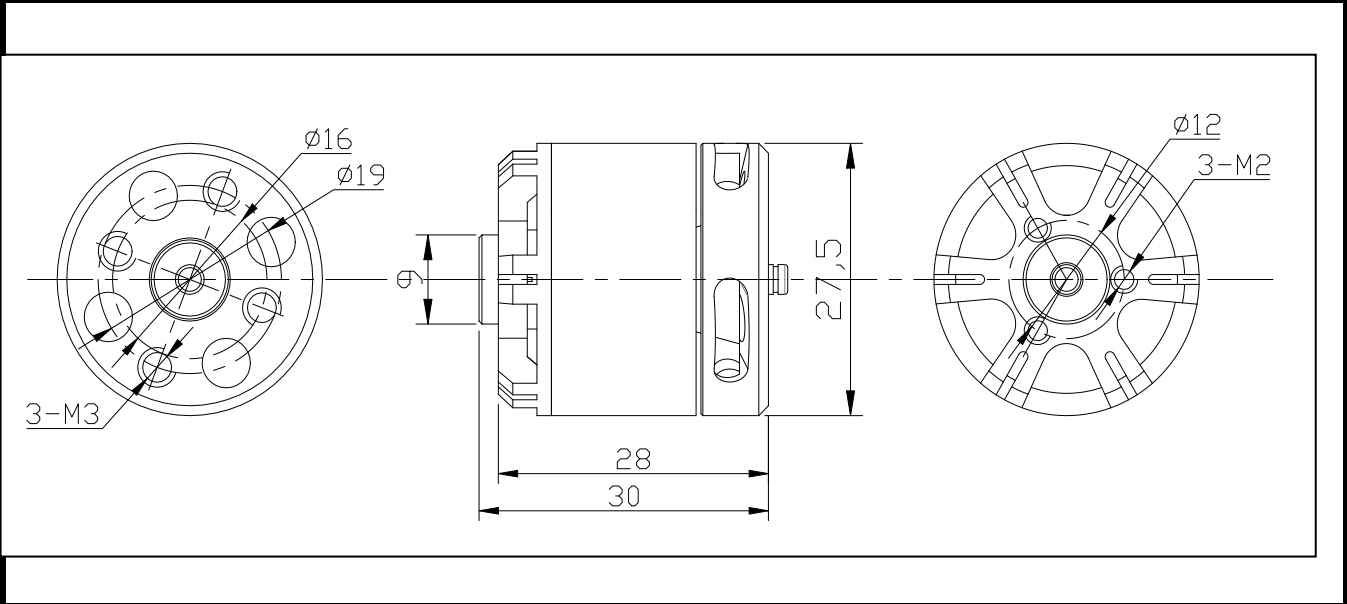


Dong Yang Servo Power Model Co.,Ltd

MOTOR MODEL: BE2212-11 (1000KV)

MOTOR OUTLINES:



MOTOR TECHNICAL DATA:

Item No.	Weight	NO LOAD			ON LOAD				LOAD TYPE
		VOLTAGE	CURRENT	SPEED	CURRENT	SPEED	Pu11	Power	Battery/prop
		V	A	rpm	A	rpm	g	W	
BE2212-11 (1000KV)	57g	11.1	0.7	11323	5.4	9446	390	59.9	LiPo x 3/8X4. 5E
					9.9	7997	610	109.9	LiPo x 3/9X6E
					11	7183	710	122.1	LiPo x 3/10X4. 7E
		14.8			8.3	7740	630	122.8	LiPo x 4/8X4. 5SF
					13.6	6960	820	201.3	LiPo x 4/9X6SF
					14.6	6814	920	216.1	LiPo x 4/10X4. 7SF

In order to satisfy application requirement of those heavy-load multi-axis aircrafts, DYS final released BE series super strength out-runner multicopter dedicated brushless motor, The BE series motor is with Kawasaki, Japan 1200 # 0.2mm high efficiency silicon steel and 40UH high temperature powerful magnet. Selected the Japanese NSK pure imported bearings to reduce motor vibration, shell using high-precision CNC machining and professional balancing test, making concentricity, balance is greatly enhanced. DYS BE Series multicopter dedicated motor perfectly compatible with more than 99% of commercially available brushless ESC.

- Low vibration motor great for flying
- To make aircraft more stable
- Less operating noise
- More efficient
- Bearings long life