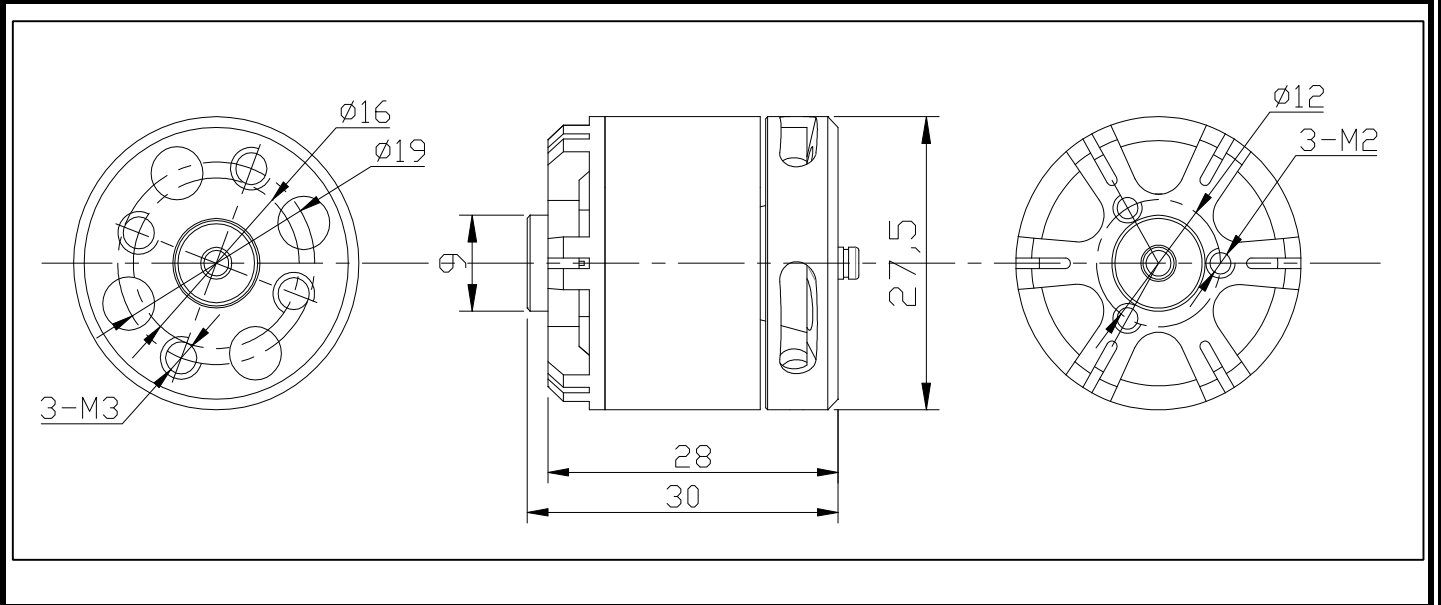


Dong Yang Servo Power Model Co.,Ltd

MOTOR MODEL: BE2212-13 (880KV)

MOTOR OUTLINES:



MOTOR TECHNICAL DATA:

Model	weight	VOLTAGE V	NO LOAD		ON LOAD				LOAD TYPE
			CURRENT A	SPEED rpm	CURRENT A	SPEED rpm	Pull g	Power W	
BE2212-13 (880KV)	57g	11.1	0.6	10029	6.5	8109	390	72.2	LiPo x 3/7X4.5E
					7.6	7783	521	84.4	LiPo x 3/8X4E
					9.3	7269	630	103.2	LiPo x 3/9X6SF
					11.9	6617	760	132.1	LiPo x 3/10X4.7SF
					15.4	5674	840	170.9	LiPo x 3/12X3.8SF
		14.8			14.4	5897	900	213.1	LiPo x 4/9X6SF
					17.2	5074	1030	254.6	LiPo x 4/10X4.7SF

In order to satisfy application requirement of those heavy-load multi-axis aircrafts, DYS final released BE series super strength out-runner multicopter dedicated brushless motor, The BE series motor is with Kawasaki, Japan 1200 # 0.2mm high efficiency silicon steel and 40UH high temperature powerful magnet. Selected the Japanese NSK pure imported bearings to reduce motor vibration, shell using high-precision CNC machining and professional balancing test, making concentricity, balance is greatly enhanced. DYS BE Series multicopter dedicated motor perfectly compatible with more than 99% of commercially available brushless ESC.

Low vibration motor great for flying

- To make aircraft more stable
- Less operating noise
- More efficient
- Bearings long life