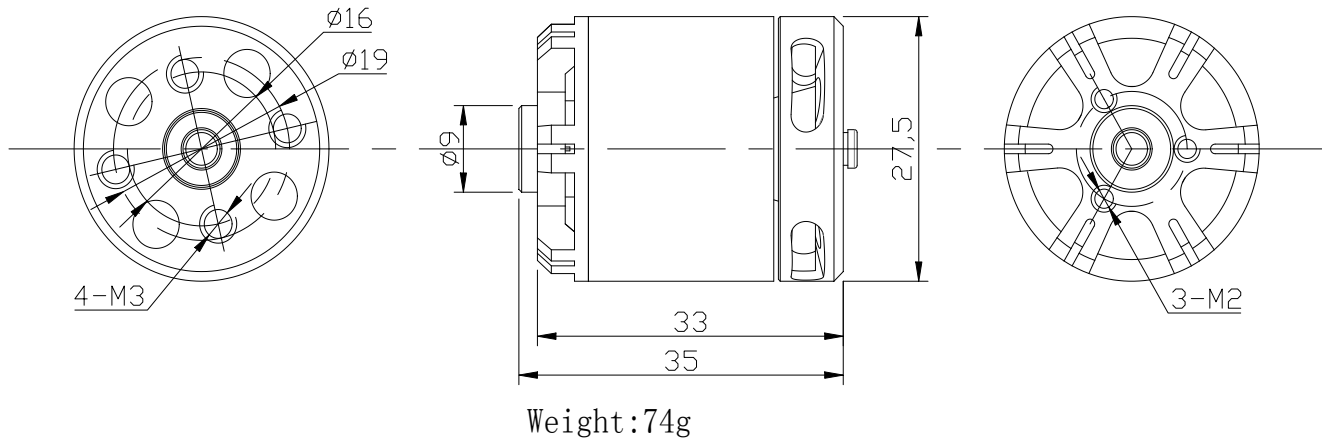


Dong Yang Servo Power Model Co.,Ltd

MOTOR MODEL: BE2217-5(1500KV)

MOTOR OUTLINES: (Weight: 74g)



MOTOR TECHNICAL DATA:

NO LOAD			ON LOAD			LOAD TYPE
VOLTAGE	CURRENT	SPEED	CURRENT	Pull	Power	Battery/prop
V	A	rpm	A	g	W	
7.4	1.1	11170	14.7	487	108.8	LiPo x 2/7x6E
			15.7	600	116.2	LiPo x 2/8x4E
			19	795	140.6	LiPo x 2/9x6E
			19.8	890	146.5	LiPo x 2/10x5E
11.1	1.2	16760	26.2	892	290.8	LiPo x 3/7x6E
			28.9	1135	320.8	LiPo x 3/8x4E
			32.6	1394	361.9	LiPo x 3/9x6E
			35	1540	388.5	LiPo x 3/10x5E
14.8	1.3	22340	38.1	1291	563.9	LiPo x 4/7x6E
			40	1610	592.0	LiPo x 4/8x4E

In order to satisfy application requirement of those heavy-load multi-axis aircrafts, DYS final released BE series super strength out-runner multicopter dedicated brushless motor, The BE series motor is with Kawasaki, Japan 1200 # 0.2mm high efficiency silicon steel and 40UH high temperature powerful magnet. Selected the Japanese NSK pure imported bearings to reduce motor vibration, shell using high-precision CNC machining and professional balancing test, making concentricity, balance is greatly enhanced. DYS BE Series multicopter dedicated motor perfectly compatible with more than 99% of commercially available brushless ESC.

Low vibration motor great for flying

- To make aircraft more stable
- Less operating noise
- More efficient
- Bearings long life



特佳电机制造厂

地址:惠州市仲凯高新区平南工业区四大围村28号

电话:0752-2090950

传真:0752-2090951

样品检查记录表

客户名称: 兆荣

编号: 201103016

机种名	TF-13-2270/42+DV(绿盖)			温度	15°C		湿度	%					
批量	10PCS		抽检数	10PCS			检查日期	2011-3-21					
测试	额定电压		DC3. V		额定负载			GCM					
	空载		起动电压 V	起动电流 A	起动转矩 g. cm	旋转方向	绝缘电阻	噪音	振动	波形	外形外观	出力轴长 mm	轴向间隙 mm
规格	电流 mA	转速 rpm											
序号						CW	≥10 (100V)	听感	手感	目测	目测		
1	289	18200		3.2		CW	OK	OK	OK	OK	OK	11.8	0.28
2	340	17900		3.1		CW	OK	OK	OK	OK	OK	11.9	0.2
3	223	16300		3		CW	OK	OK	OK	OK	OK	11.8	0.23
4	286	17400		3.25		CW	OK	OK	OK	OK	OK	12	0.3
5	321	17200		3.2		CW	OK	OK	OK	OK	OK	12.2	0.32
6	318	16700		3		CW	OK	OK	OK	OK	OK	12.1	0.3
7	222	16800		3.2		CW	OK	OK	OK	OK	OK	12.1	0.24
8	222	17900		3		CW	OK	OK	OK	OK	OK	12.4	0.2
9	227	17100		3		CW	OK	OK	OK	OK	OK	12.3	0.15
10	294	18000		3.2		CW	OK	OK	OK	OK	OK	11.9	0.2
11													
12													
13													
14													
15													
16													
17													
18													
19													
20													
\bar{X}	274	17350		3.115	DIV/0							12.05	0.242
R	67	-15960		0.25	0							0.6	0.17
MAX	340	18200		3.25	0							12.4	0.32
MIN	222	16300		3	0							11.8	0.15
COPY:	<input checked="" type="checkbox"/>	客户	<input type="checkbox"/>	工程	检查		判定	OK	承认				

CN1103-16