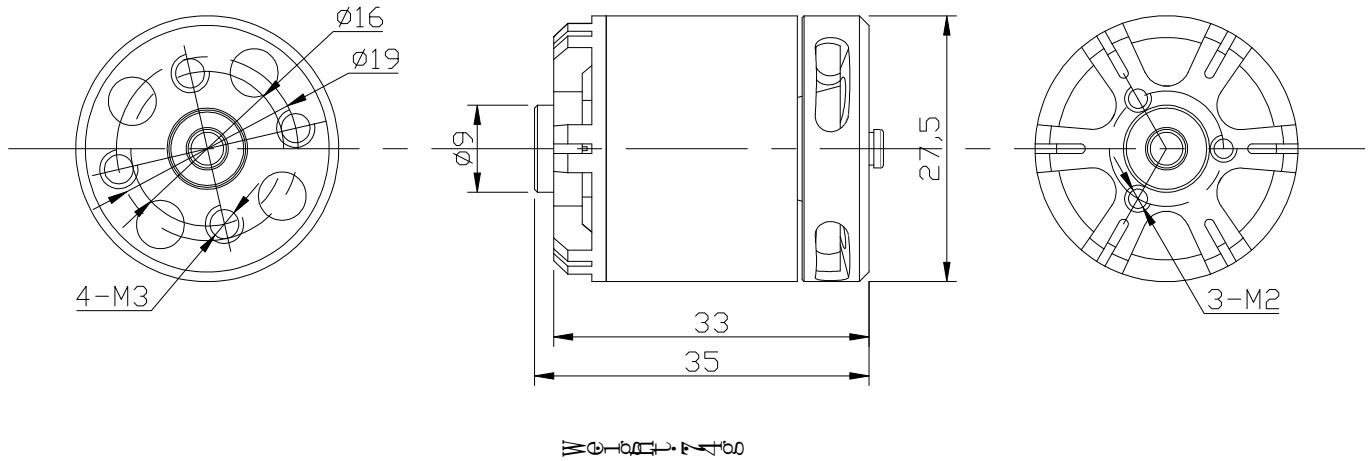


# Dong Yang Servo Power Model Co.,Ltd

MOTOR MODEL: BE2217-9 (930KV)

MOTOR OUTLINES:



MOTOR TECHNICAL DATA:

Model	weight	VOLTAGE V	NO LOAD		ON LOAD				LOAD TYPE
			CURRENT A	SPEED rpm	CURRENT A	SPEED rpm	Pull g	Power W	
BE2217-9 (930KV)	74g	11.1	0.7	10320	8.6	8717	460	95.5	LiPo x 3/7X5E
					9.7	8451	600	107.7	LiPo x 3/8X4E
					11.6	8023	810	128.8	LiPo x 3/9X6SF
					16.1	6926	1000	178.7	LiPo x 3/10X4.7SF
					21.1	6583	1200	234.2	LiPo x 3/12X3.8SF

In order to satisfy application requirement of those heavy-load multi-axis aircrafts, DYS final released BE series super strength out-runner multicopter dedicated brushless motor, The BE series motor is with Kawasaki, Japan 1200 # 0.2mm high efficiency silicon steel and 40UH high temperature powerful magnet. Selected the Japanese NSK pure imported bearings to reduce motor vibration, shell using high-precision CNC machining and professional balancing test, making concentricity, balance is greatly enhanced. DYS BE Series multicopter dedicated motor perfectly compatible with more than 99% of commercially available brushless ESC.

- Low vibration motor great for flying
- To make aircraft more stable
  - Less operating noise
  - More efficient
  - Bearings long life