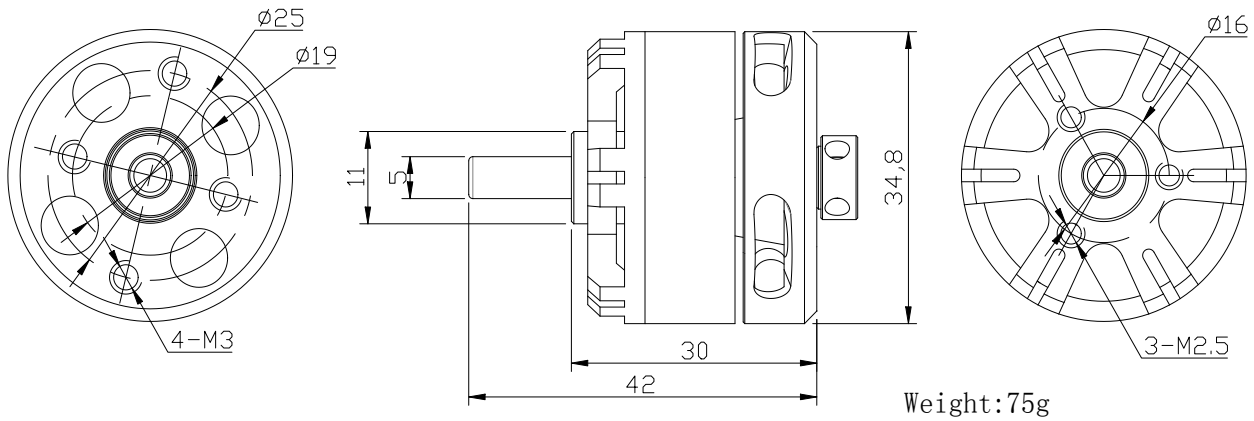


SAMPIE TEST TABLE

MOTOR MODEL: BE2808-10(1400KV)

MOTOR OUTLINES:



MOTOR TECHNICAL DATA:

VOLTAGE	NO LOAD		ON LOAD			LOAD TYPE
	CURRENT	SPEED	CURRENT	Pull	Power	Battery/prop
V	A	rpm	A	g	W	
11.1	1.2	15640	14.8	710	164.3	LiPo x 3/7x4E
			24.7	1020	274.2	LiPo x 3/8x4E
			29	1230	321.9	LiPo x 3/9x6E
14.8	1.3	20850	23	1110	340.4	LiPo x 4/7x4E
			37.8	1410	559.4	LiPo x 4/8x4E
18.5	1.3	26070	34	1500	629.0	LiPo x 5/7x4E

PRODUCE BY:

INSPECT BY: