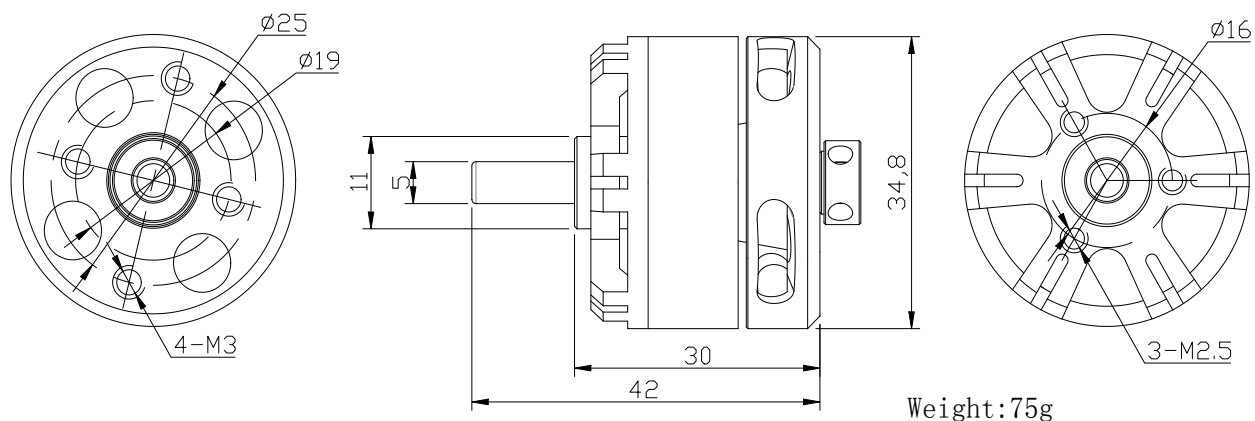


# SAMPIE TEST TABLE

MOTOR MODEL: BE2808-13(1080KV)

MOTOR OUTLINES:



MOTOR TECHNICAL DATA:

VOLTAGE	NO LOAD		ON LOAD			LOAD TYPE
	CURRENT	SPEED	CURRENT	Pull	Power	
V	A	rpm	A	g	W	Battery/prop
11.1	0.8	12080	7.8	470	86.6	LiPo x 3/7x4E
			14.5	750	161.0	LiPo x 3/8x4E
			17.2	950	190.9	LiPo x 3/9x6E
14.8	0.9	16110	12.3	770	182.0	LiPo x 4/7x4E
			22	1120	325.6	LiPo x 4/8x4E
			24.5	1350	362.6	LiPo x 4/9x6E
18.5	0.9	20140	17.7	1100	327.5	LiPo x 5/7x4E
			29	1420	536.5	LiPo x 5/8x4E
			31.4	1620	580.9	LiPo x 5/9x6E
22.2	1	24170	23.6	1430	523.9	LiPo x 6/7x4E

PRODUCE BY:

INSPECT BY: