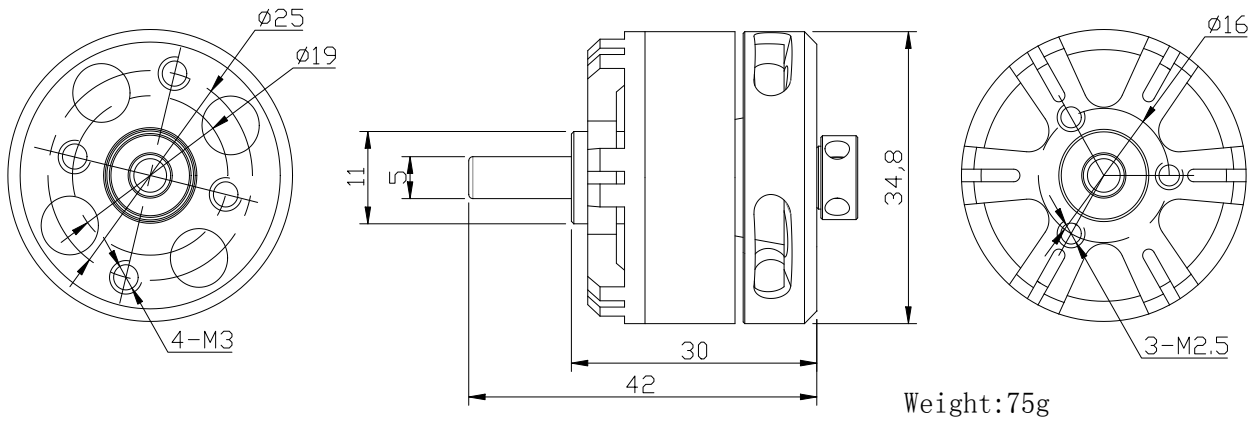


# SAMPIE TEST TABLE

MOTOR MODEL: BE2808-8(1760KV)

MOTOR OUTLINES:



MOTOR TECHNICAL DATA:

NO LOAD			ON LOAD			LOAD TYPE
VOLTAGE	CURRENT	SPEED	CURRENT	Pull	Power	Battery/prop
V	A	rpm	A	g	W	
11.1	1.7	19520	23.7	940	263.1	LiPo x 3/7x4E
			36.7	1150	407.4	LiPo x 3/8x4E
14.8	1.8	26030	36.2	1390	535.8	LiPo x 4/7x4E

PRODUCE BY:

INSPECT BY: