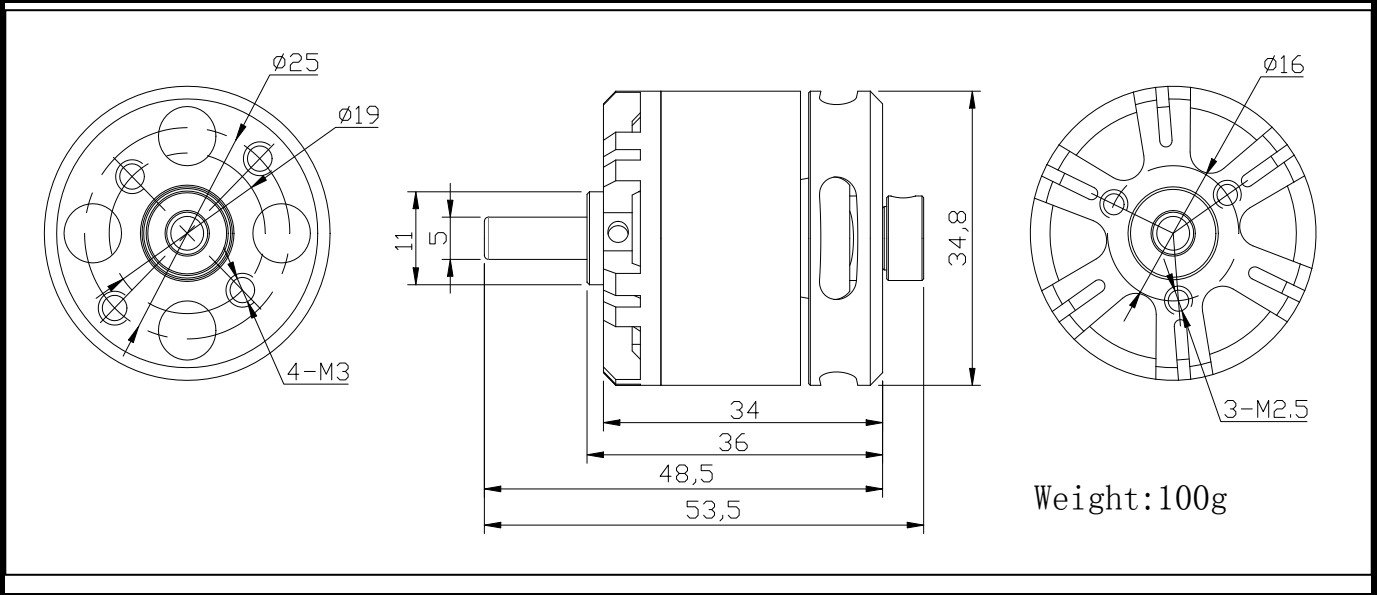


Dong Yang Servo Power Model Co.,Ltd

MOTOR MODEL: BE2814-5(1400KV)

MOTOR OUTLINES: (Weight:100g)



MOTOR TECHNICAL DATA:

VOLTAGE	NO LOAD		ON LOAD			LOAD TYPE
	CURRENT	SPEED	CURRENT	Pull	Power	
V	A	rpm	A	g	W	Battery/prop
11.1	2.3	15650	28	930	310.8	LiPo x 3/7x5E
			31	1190	344.1	LiPo x 3/8x4E
			36	1500	399.6	LiPo x 3/9x6E
14.8	2.5	20860	42.8	1390	633.4	LiPo x 4/7x5E

DYS final released BE series super strength out-runner high-end brushless motor, The BE series motor is with Kawasaki, Japan 1200 # 0.2mm high efficiency silicon steel and 40UH high temperature powerful magnet. Selected the Japanese NSK pure imported bearings to reduce motor vibration, shell using high-precision CNC machining and professional balancing test, making concentricity, balance is greatly enhanced. DYS BE Series high-end brushless motor perfectly compatible with more than 99% of commercially available brushless ESC.

Low vibration motor great for flying

- To make aircraft more stable
- Less operating noise
- More efficient
- Bearings long life