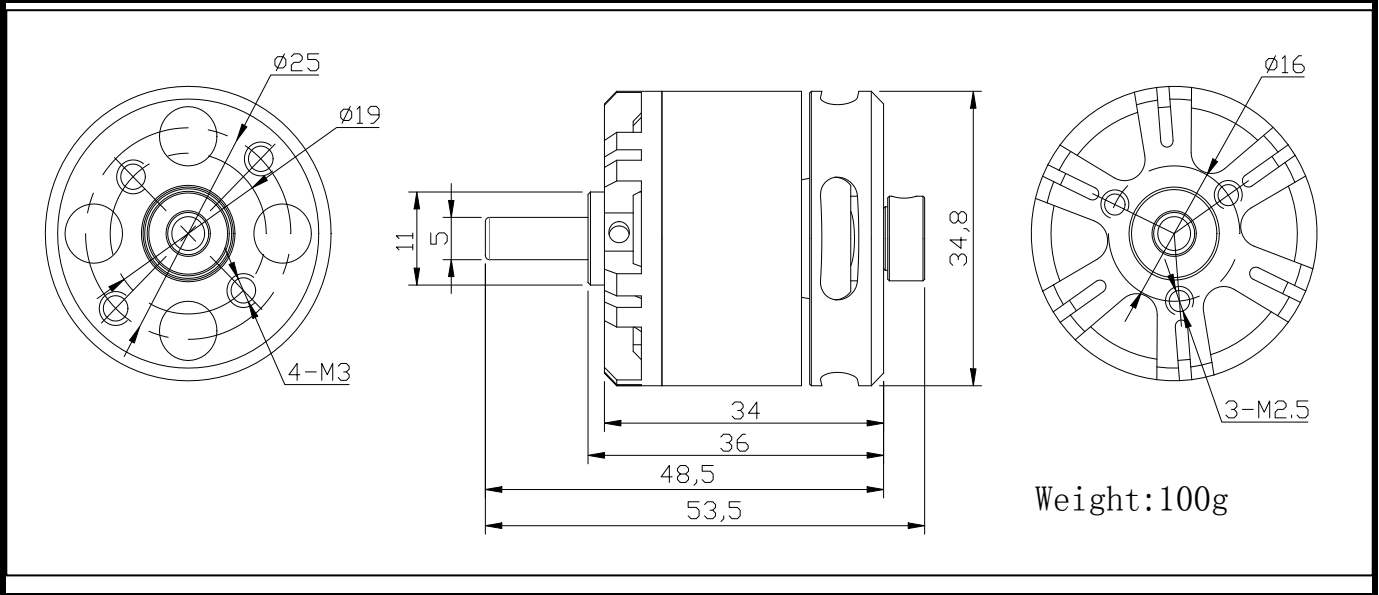


Dong Yang Servo Power Model Co.,Ltd

MOTOR MODEL: BE2814-6(1280KV)

MOTOR OUTLINES: (Weight:100g)



MOTOR TECHNICAL DATA:

VOLTAGE	NO LOAD		ON LOAD			LOAD TYPE
	CURRENT	SPEED	CURRENT	Pull	Power	
V	A	rpm	A	g	W	Battery/prop
11.1	2	14400	21.8	790	242.0	LiPo x 3/7x5E
			24.7	1050	274.2	LiPo x 3/8x4E
			29	1330	321.9	LiPo x 3/9x6E
14.8	2.2	19190	34.1	1250	504.7	LiPo x 4/7x5E
			38.5	1610	569.8	LiPo x 4/8x4E

DYS final released BE series super strength out-runner high-end brushless motor, The BE series motor is with Kawasaki, Japan 1200 # 0.2mm high efficiency silicon steel and 40UH high temperature powerful magnet. Selected the Japanese NSK pure imported bearings to reduce motor vibration, shell using high-precision CNC machining and professional balancing test, making concentricity, balance is greatly enhanced. DYS BE Series high-end brushless motor perfectly compatible with more than 99% of commercially available brushless ESC.

- Low vibration motor great for flying
- To make aircraft more stable
 - Less operating noise
 - More efficient
 - Bearings long life