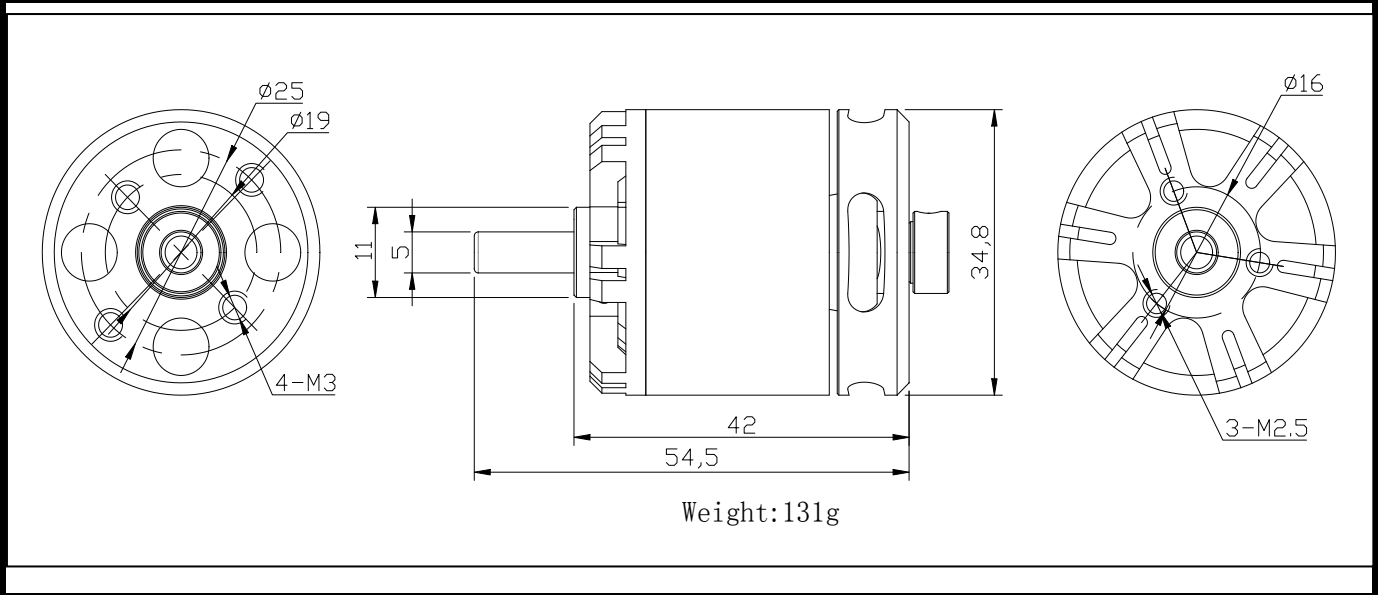


SAMPIE TEST TABLE

MOTOR MODEL: BE2820-4(1340KV)

MOTOR OUTLINES:



MOTOR TECHNICAL DATA:

| VOLTAGE | NO LOAD | | ON LOAD | | | LOAD TYPE |
|---------|---------|-------|---------|------|-------|---------------|
| | CURRENT | SPEED | CURRENT | Pull | Power | |
| V | A | rpm | A | g | W | Battery/prop |
| 11.1 | 2.7 | 14910 | 17.4 | 770 | 193.1 | LiPo x 3/7x4E |
| | | | 32.1 | 1210 | 356.3 | LiPo x 3/8x4E |
| | | | 36.7 | 1490 | 407.4 | LiPo x 3/9x6E |
| 14.8 | 2.8 | 19880 | 27.6 | 1270 | 408.5 | LiPo x 4/7x4E |
| 18.5 | 2.9 | 24850 | 40 | 1820 | 740.0 | LiPo x 5/7x4E |

PRODUCE BY:

INSPECT BY: