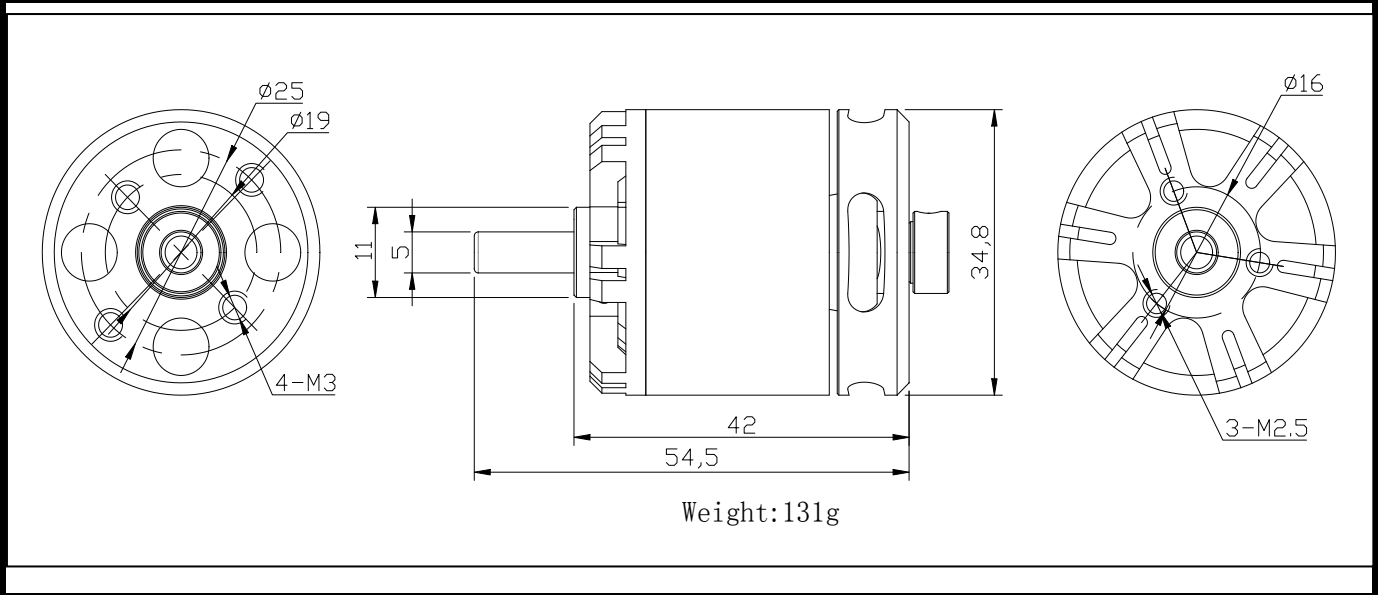


SAMPIE TEST TABLE

MOTOR MODEL: BE2820-4.5(1200KV)

MOTOR OUTLINES:



MOTOR TECHNICAL DATA:

VOLTAGE	NO LOAD		ON LOAD			LOAD TYPE
	CURRENT	SPEED	CURRENT	Pull	Power	
V	A	rpm	A	g	W	Battery/prop
11.1	2.3	13350	13.2	640	146.5	LiPo x 3/7x4E
			25.4	1040	281.9	LiPo x 3/8x4E
			28.8	1360	319.7	LiPo x 3/9x6E
14.8	2.4	17800	21.2	1080	313.8	LiPo x 4/7x4E
			38.7	1680	572.8	LiPo x 4/8x4E
			44.2	2110	654.2	LiPo x 4/9x6E
18.5	2.5	22250	31.1	1610	575.4	LiPo x 5/7x4E

PRODUCE BY:

INSPECT BY: