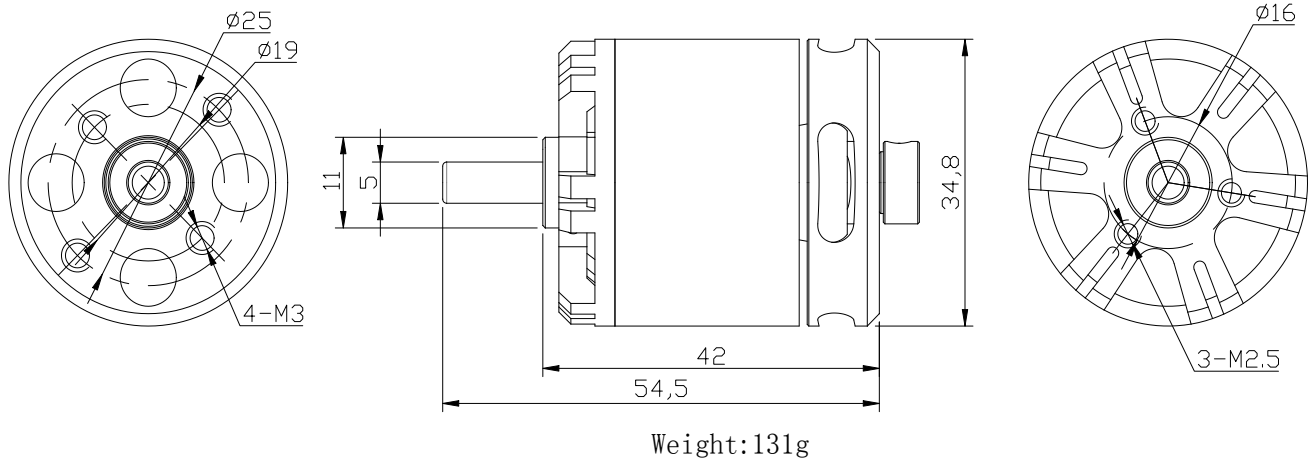


SAMPIE TEST TABLE

MOTOR MODEL: BE2820-5.5(970KV)

MOTOR OUTLINES:



MOTOR TECHNICAL DATA:

VOLTAGE	NO LOAD		ON LOAD			LOAD TYPE
	CURRENT	SPEED	CURRENT	Pull	Power	
V	A	rpm	A	g	W	Battery/prop
11.1	1.7	10810	7.8	450	86.6	LiPo x 3/7x4E
			15.4	810	170.9	LiPo x 3/8x4E
			18.8	1100	208.7	LiPo x 3/9x6E
			20.1	1230	223.1	LiPo x 3/10x5E
14.8	1.8	14420	12.8	780	189.4	LiPo x 4/7x4E
			25.2	1360	373.0	LiPo x 4/8x4E
			29.7	1710	439.6	LiPo x 4/9x6E
			32.2	1910	476.6	LiPo x 4/10x5E
18.5	1.9	18020	18.9	1180	349.7	LiPo x 5/7x4E
			35.7	1900	660.5	LiPo x 5/8x4E
			40.3	2380	745.6	LiPo x 5/9x6E
22.2	1.9	21630	26.4	1630	586.1	LiPo x 6/7x4E

PRODUCE BY:

INSPECT BY: