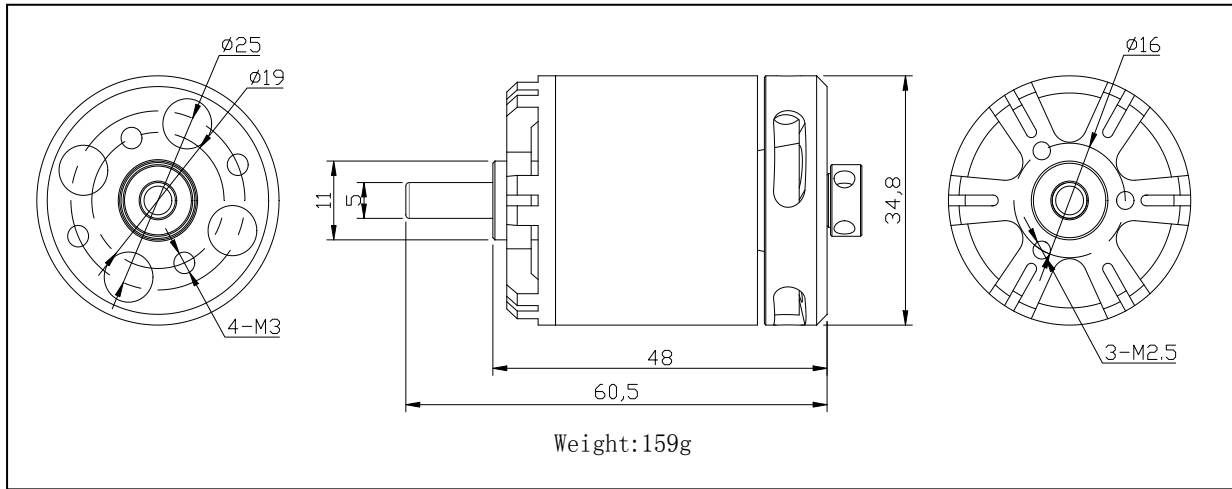


SAMPIE TEST TABLE

MOTOR MODEL: BE2826-4(1060KV)

MOTOR OUTLINES:



MOTOR TECHNICAL DATA:

Item No.	NO LOAD			ON LOAD			LOAD TYPE
	VOLTAGE	CURRENT	SPEED	CURRENT	Pull	Power	Battery/prop
	V	A	rpm	A	g	W	
BE2826-4	11.1	2.3	11730	9.9	510	109.9	LiPo x 3/7x4E
				19.3	920	214.2	LiPo x 3/8x4E
				22.8	1220	253.1	LiPo x 3/9x6E
				24.3	1370	269.7	LiPo x 3/10x5E
	14.8	2.4	15640	16.2	900	239.8	LiPo x 4/7x4E
				31.6	1500	467.7	LiPo x 4/8x4E
				35.3	1900	522.4	LiPo x 4/9x6E
				38.5	2150	569.8	LiPo x 4/10x5E
	18.5	2.5	19550	23.6	1360	436.6	LiPo x 5/7x4E
				44.2	2120	817.7	LiPo x 5/8x4E

PRODUCE BY:

INSPECT BY: