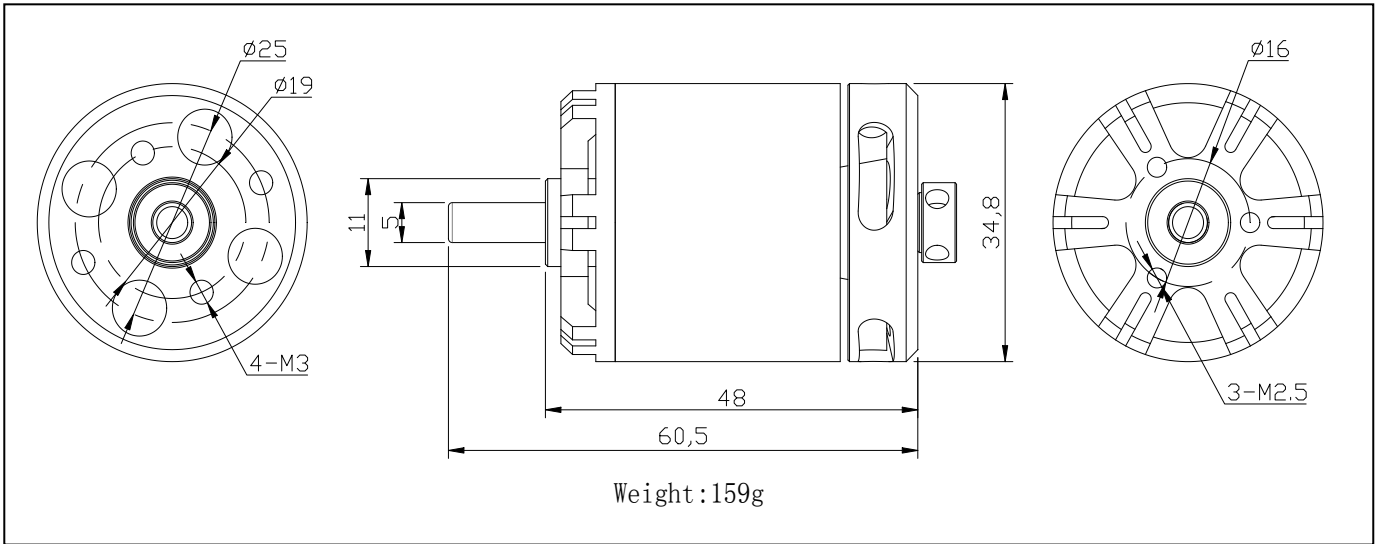


SAMPIE TEST TABLE

MOTOR MODEL: BE2826-4.5 (940KV)

MOTOR OUTLINES:



MOTOR TECHNICAL DATA:

Item No.	NO LOAD			ON LOAD			LOAD TYPE
	VOLTAGE V	CURRENT A	SPEED rpm	CURRENT A	Pu11 g	Power W	
BE2826-4.5	11.1	1.9	10430	7.4	410	82.1	LiPo x 3/7x4E
				14.7	800	163.2	LiPo x 3/8x4E
				17.8	1070	197.6	LiPo x 3/9x6E
				18.9	1190	209.8	LiPo x 3/10x5E
	14.8	2	13900	11.7	720	173.2	LiPo x 4/7x4E
				23.9	1310	353.7	LiPo x 4/8x4E
				28.2	1700	417.4	LiPo x 4/9x6E
				30.5	1910	451.4	LiPo x 4/10x5E
	18.5	2.1	17380	17.6	1110	325.6	LiPo x 5/7x4E
				34.3	1900	634.6	LiPo x 5/8x4E
				39.6	2430	732.6	LiPo x 5/9x6E
	22.2	2.2	20860	24.5	1580	543.9	LiPo x 6/7x4E

PRODUCE BY:

INSPECT BY: