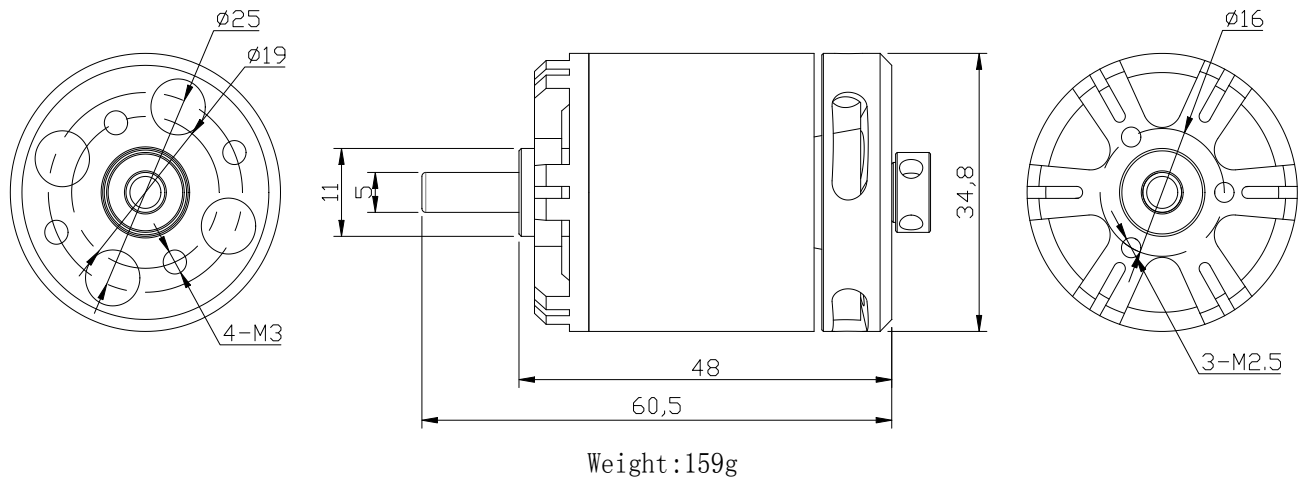


SAMPIE TEST TABLE

MOTOR MODEL: BE2826-5.5 (770KV)

MOTOR OUTLINES:



MOTOR TECHNICAL DATA:

Item No.	NO LOAD		ON LOAD			LOAD TYPE
	VOLTAGE V	CURRENT A	SPEED rpm	CURRENT A	Pull g	
11.1	1.4	8570	4.5	280	50.0	LiPo x 3/7x4E
			8.9	560	98.8	LiPo x 3/8x4E
			11.2	780	124.3	LiPo x 3/9x6E
			11.7	890	129.9	LiPo x 3/10x5E
			14.1	1060	156.5	LiPo x 3/11x5.5E
			19	1340	210.9	LiPo x 3/12x6E
14.8	1.5	11430	7.6	500	112.5	LiPo x 4/7x4E
			15.8	930	233.8	LiPo x 4/8x4E
			17.8	1250	263.4	LiPo x 4/9x6E
			18.9	1430	279.7	LiPo x 4/10x5E
			22.4	1740	331.5	LiPo x 4/11x5.5E
			29.3	2130	433.6	LiPo x 4/12x6E
18.5	1.5	14280	10.5	780	194.3	LiPo x 5/7x4E
			21.4	1430	395.9	LiPo x 5/8x4E
			25.4	1880	469.9	LiPo x 5/9x6E
			27.8	2130	514.3	LiPo x 5/10x5E
			33.3	2880	616.1	LiPo x 5/11x5.5E
			41.2	2880	762.2	LiPo x 5/12x6E
22.2	1.6	17140	14.5	1130	321.9	LiPo x 6/7x4E
			29.1	1950	646.0	LiPo x 6/8x4E
			33.5	2470	743.7	LiPo x 6/9x6E
			37.2	2820	825.8	LiPo x 6/10x5E

PRODUCE BY:

INSPECT BY: