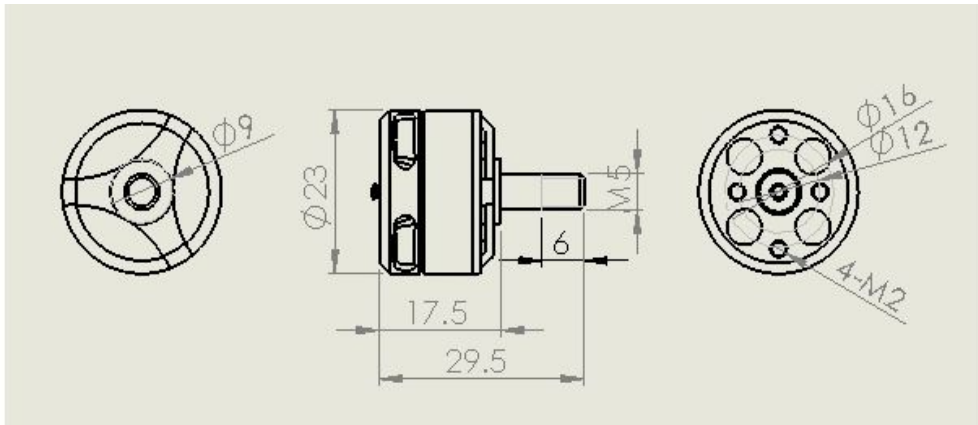


Dong Yang Servo Power Model Co.,Ltd

MOTOR MODEL: BE1806 (2700KV)

MOTOR OUTLINES:



Weight: 22g
Resist: 0.12ohm
KV: 2700kv

MOTOR TECHNICAL DATA:

VOLTAGE V	NO LOAD		ON LOAD				LOAD TYPE
	CURRENT A	SPEED rpm	CURRENT A	Pu11 g	Power W	EEP %	Battery/prop
11.1	0.5	#REF!	1.8	100	20.0	5.0	LiPo x 3/T4045
			4.6	200	51.1	3.9	
			10.5	380	116.6	3.3	
			2.3	150	25.5	5.9	LiPo x 3/T5045
			7.3	300	81.0	3.7	
			13.6	490	151.0	3.2	
			2.5	150	27.8	5.4	LiPo x 3/T6045
			7.6	300	84.4	3.6	
			17.3	540	192.0	2.8	
			1.8	100	20.0	5.0	LiPo x 3/4045
			4.1	200	45.5	4.4	
			6.7	300	74.4	4.0	
			2.4	150	26.6	5.6	LiPo x 3/5045
			5.9	300	65.5	4.6	
			11.8	490	131.0	3.7	
			3.2	200	35.5	5.6	LiPo x 3/6045
8.4	400	93.2	4.3				
16.4	610	182.0	3.4				
14.8	0.6	#REF!	3.4	200	50.3	4.0	LiPo x 4/T4045
			9.4	400	139.1	2.9	
			15.5	560	229.4	2.4	
			2.8	200	41.4	4.8	LiPo x 4/T5045
			7.7	400	114.0	3.5	
			19.1	620	282.7	2.2	
			2.3	150	34.0	4.4	LiPo x 4/4045
			5.3	300	78.4	3.8	
			10.5	480	155.4	3.1	
			2.6	200	38.5	5.2	LiPo x 4/5045
			7.0	400	103.6	3.9	
			17.3	690	256.0	2.7	

PRODUCE BY:

INSPECT BY: