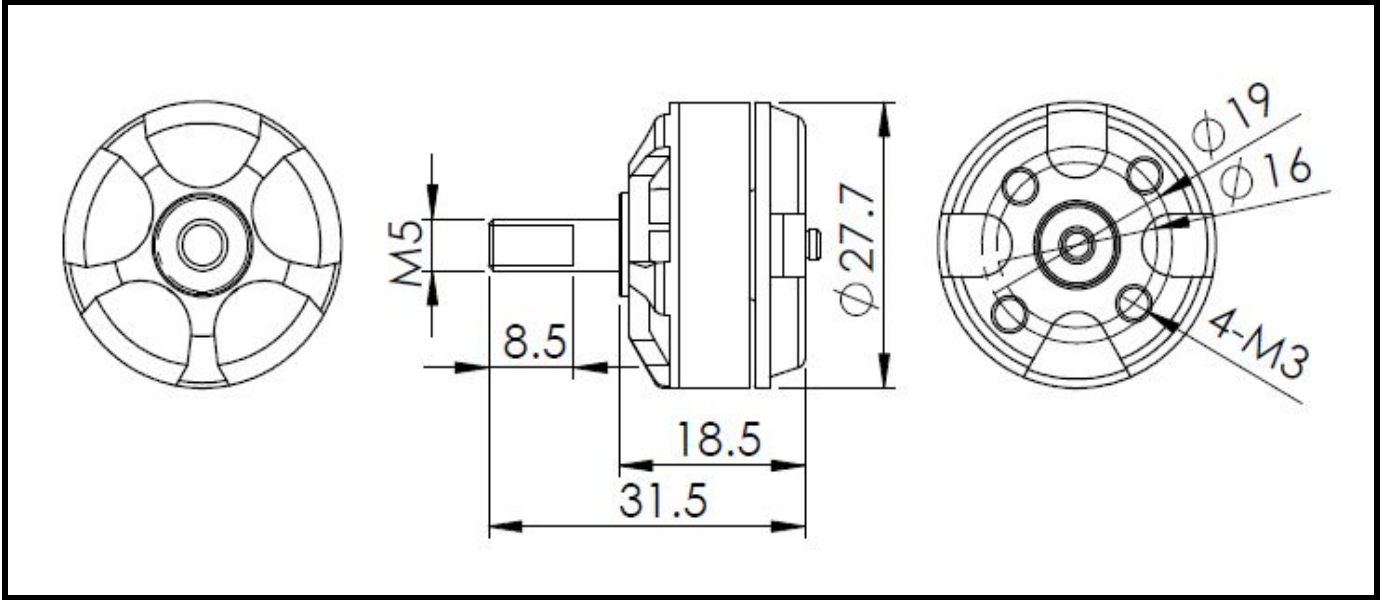


SAMPIE TEST TABLE

MOTOR MODEL: MR2205 (2100KV)

MOTOR OUTLINES:



MOTOR TECHNICAL DATA:

VOLTAGE	NO LOAD		ON LOAD			LOAD TYPE
	CURRENT	SPEED	CURRENT	Pull	Power	
V	A	rpm	A	g	W	Battery/prop
11.1	0.6	23310	1.8	100	20.0	LiPo x 3/5045
			3.7	200	41.1	
			9.1	420	101.0	
			LiPo x 3/6045	3.1	200	34.4
				7.4	400	82.1
				14.1	610	156.5
14.8	0.7	31080	2.8	200	41.4	LiPo x 4/5045
			6.9	400	102.1	
			13.6	650	201.3	
			LiPo x 4/6045	4.0	300	59.2
				10.1	600	149.5
				20.1	980	297.5

PRODUCE BY:

INSPECT BY: