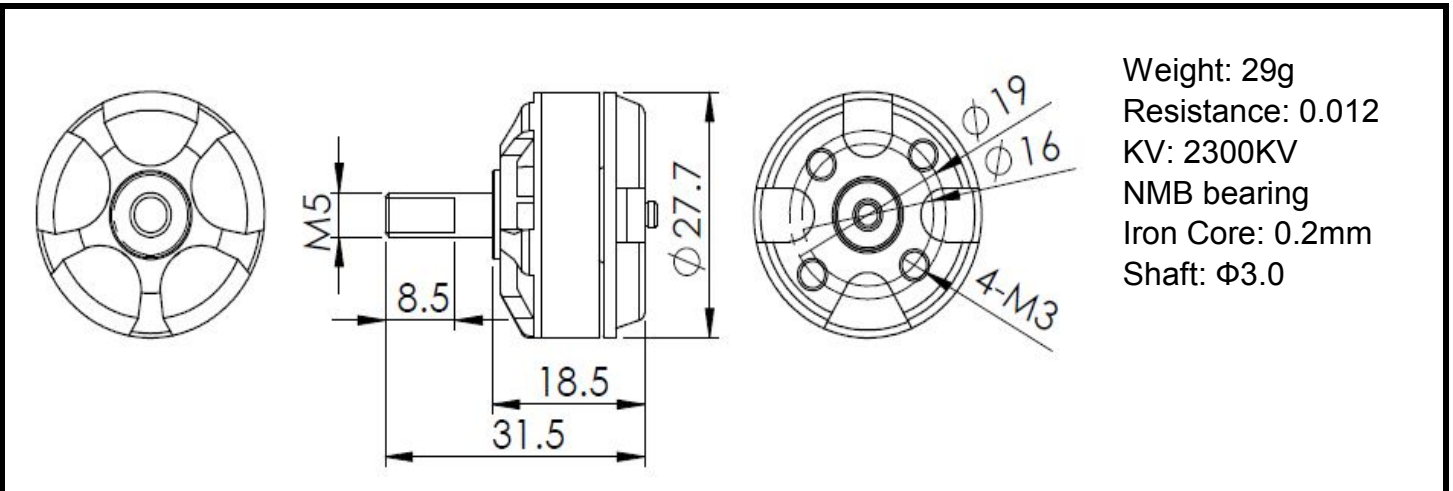


Dong Yang Model Technology Co., Limited

MOTOR MODEL: MR2205 (2300KV)

MOTOR OUTLINES:



MOTOR TECHNICAL DATA:

VOLTAGE V	NO LOAD		ON LOAD				LOAD TYPE
	CURRENT A	SPEED rpm	CURRENT A	Pull g	Power W	EEP %	
11.1	0.9	11.1	2.1	100	23.3	4.3	LiPo x 3/4045
			4.3	200	47.7	4.2	
			5.9	290	65.5	4.4	
			LiPo x 3/5045	2.4	150	26.6	5.6
				5.3	300	58.8	5.1
				10.1	470	112.1	4.2
				3.3	200	36.6	5.5
			LiPo x 3/6045	8.4	400	93.2	4.3
				17.2	680	190.9	3.6
				1.8	100	26.6	3.8
14.8	1.0	14.8	3.7	200	54.8	3.7	
			5.5	310	81.4	3.8	
			LiPo x 4/5045	2.9	200	42.9	4.7
				7.4	400	109.5	3.7
				16.8	740	248.6	3.0
			LiPo x 4/6045	4.8	300	71.0	4.2
				11.8	600	174.6	3.4
				24.1	980	356.7	2.7

PRODUCE BY:

INSPECT BY: