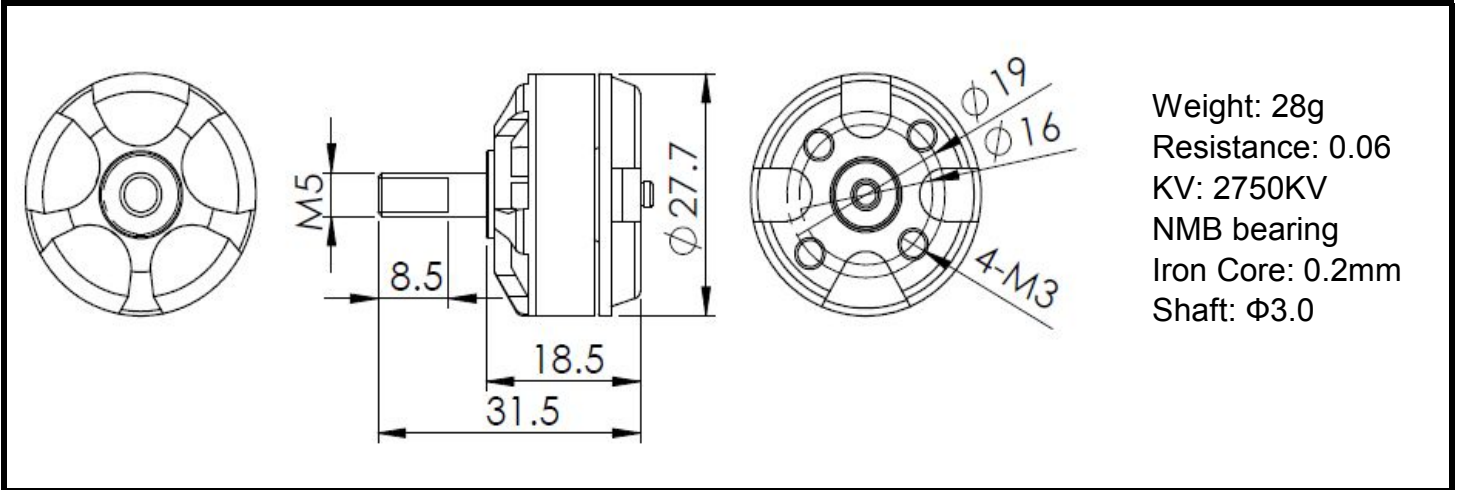


Dong Yang Model Technology Co., Limited

MOTOR MODEL: MR2205 (2750KV)

MOTOR OUTLINES:



MOTOR TECHNICAL DATA:

VOLTAGE	NO LOAD		ON LOAD				LOAD TYPE			
	CURRENT	SPEED	CURRENT	Pull	Power	EEP				
V	A	rpm	A	g	W	%	Battery/prop			
11.1	0.8	11.1	3.7	200	41.1	4.9	LiPo × 3/5045			
			9	400	99.9	4.0				
			19.5	700	216.5	3.2				
			11.1	0.8	11.1	5.5	300	61.1	4.9	LiPo × 3/6045
						14.6	600	162.1	3.7	
						27.6	880	306.4	2.9	LiPo × 3/7024
						4.8	300	53.3	5.6	
						13.6	600	151.0	4.0	
14.8	0.9	14.8	28.1	940	311.9	3.0	LiPo × 4/6045			
			6.4	400	94.7	4.2				
			19.7	800	291.6	2.7				
			35.8	1150	529.8	2.2				

PRODUCE BY:

INSPECT BY: