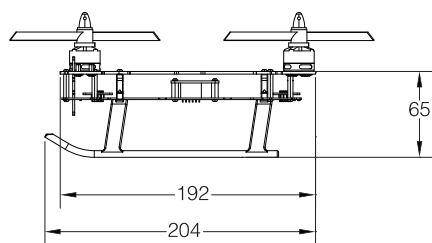
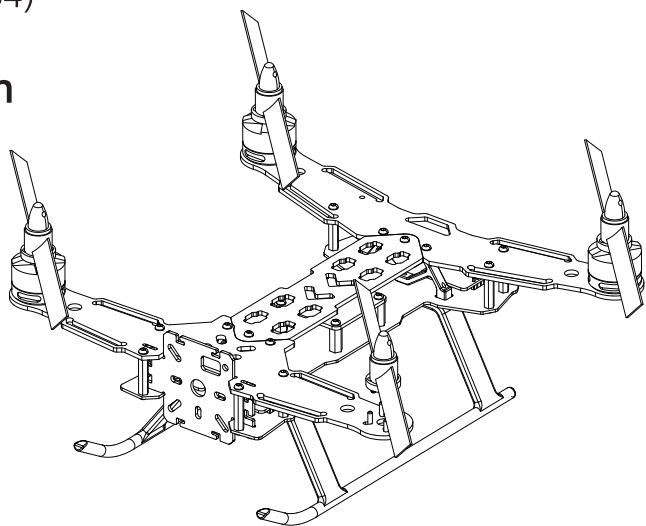


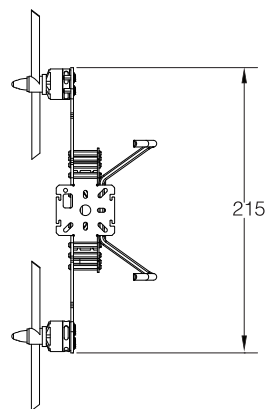
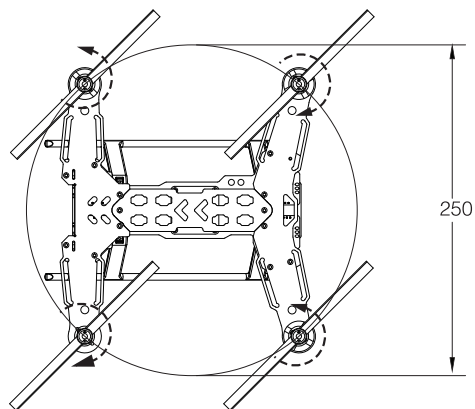
250 Manual

(V1.0 2015.04)

Description



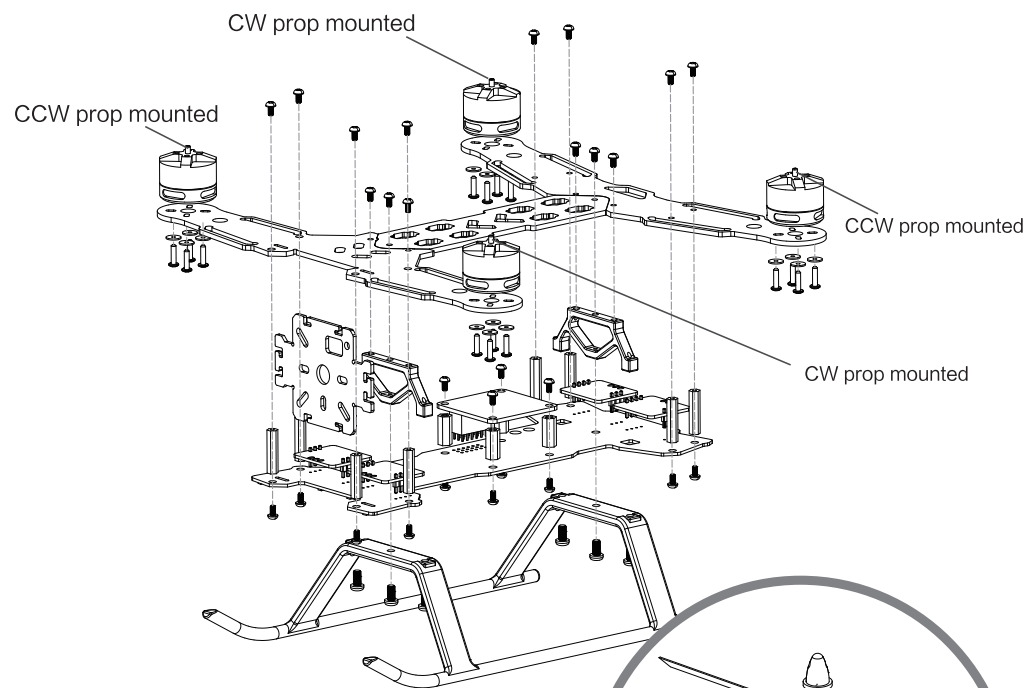
250 Configuration	
Flight control	CC3D
Propeller	5030~6030
ESC	10A ~ 20A
Motor	1806 2300KV
Battery	3S 20C 11.1V 2800mAh



List

Propeller CF5030 2 pairs	Propeller mount 4 sets
Flight control cable 1 set	Screw M2x5mm 21 pcs (prop mount fixed)
Spare screw M3 x6mm 10pcs(Main board fixed)	Spare screw M3 x6mm 10pcs(Main board fixed)

Assembly



Please mount the propeller according to above instruction, CW and CCW propeller should be staggered mounted.